



Ontech GSM Mini 9009

Ontech GSM Relay 9010



User Manual

Welcome

Thank you for choosing Ontech GSM Mini 9009.

We hope that the product will satisfy your needs and that you will find this manual easy to handle and that it guides you in an appropriate way.

If you want to learn more, please visit our web site at www.ondico.se, where you can find more information.

Questions can be directed to support@ondico.se.

In this manual the Ontech GSM Mini 9009 will sometimes be called master unit and Ontech GSM Relay 9010 will be called slave unit.

SMS text will be shown with gray background and and bold text, for example:

1234#1*0#

Also the buttons to be pressed when using a telephone in tone mode (not pulse) is shown in this way.

Text in *italic* indicates a menu in your mobile phone, for example;

Contacts

Important!

Not intended for direct plug-in equipment, only for plugs with a cord.

Content

Welcome	2
Ontech GSM Mini 9009	5
Overview.....	5
Content in package	6
Get started.....	6
Remote relay	8
Operate the relay manually.....	8
Operate the relay by calling it up.....	8
Operate the relay with SMS	9
Alarm.....	10
Connect an alarm detector	10
Change operation mode between NO and NC	10
Alarmrelay	12
Turn on/off the alarm function	12
Turn off the alarm function by calling up	12
Turn off the alarm function with SMS.....	12
When an alarm is activated	13
Interpreting the SMS	13
Acknowledge an alarm.....	13
Temperature guard.....	14
Temperature.....	14
Status-SMS.....	15
Power the unit with battery	16
Functions.....	16
Commands.....	16
Push button	17
The lamps of the unit.....	17
Ontech GSM Relay 9010	19
Overview.....	19
Content of the package	19
Get started.....	20
The identity of the unit	20
Setting the radio channel.....	21
Remote relay	23
Operate the relay manually.....	23
Operate the relay by calling it up.....	23
Operate the relay with SMS	24
Alarm function	25

Connect an alarm detector	25
Change operation mode between NO and NC	25
Turn on/off the alarm function	27
When an alarm is activated	27
Acknowledge an alarm	27
Functions.....	29
Push button	29
The lamp of the unit.....	29
Trubble shooting.....	30
Tip!.....	31
Ontech GSM Mini 9009.....	32
Ontech GSM Relay 9010.....	32
Declaration of comformity	33

Ontech GSM Mini 9009

Overview

Ontech GSM Mini 9009 has a built-in power relay 230V/16A which can be operated with SMS or by an ordinary telephone call. The unit also has two alarm inputs which both can be set to operate in either *Normally Open-mode* or *Normally Closed-mode*. When the alarm input is activated an SMS will be sent to up to ten different mobile phone numbers.

The unit has a temperature guard that sends an alarm message if the temperature drops below 5 degrees Celsius. The unit also reports the actual temperature.

Ontech GSM Relay 9010 is a slave unit that communicates with Ontech GSM Mini 9009 with a short range radio. The unit has a built-in power relay 230V/16A and two alarm inputs. Up to seven Ontech GSM Relay 9010 can be connected and individually operated by each Ontech GSM Mini 9009 . The operating range is approx. 30 meters, but each slave unit also works as a repeater in order to increase the operating range.

Content in package

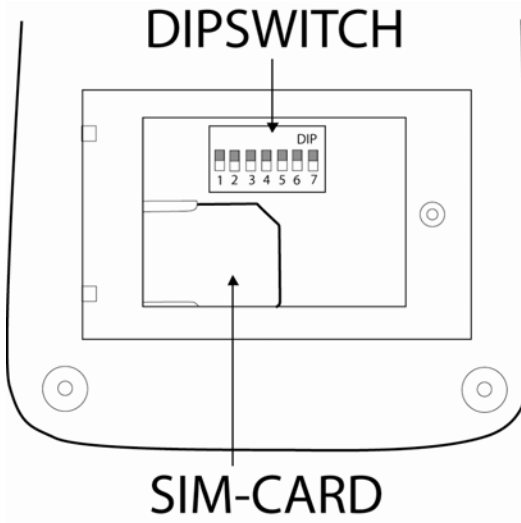
- Ontech GSM Mini 9009
- Antenna
- Users Manual
- Connection cable

Get started

In order to use the unit you must have an SIM-card for a mobile telephone and access to a mobile phone.

1. Insert the SIM-card in a GSM mobile phone.
2. Deactivate the PIN-code function. See the user manual of the mobile phone..
3. Choose *Contacts* in the mobile phones menu.
Be sure you are saving the settings in the memory of the SIM-card and not in the memory of the telephone.
 - a. Create a new entry, name it "PINCODE"
 - b. In the field for telephone number, enter your personal four digit number. This number is the PINCODE you must enter each time you contact the unit..
4. Create a send list for alarm
 - a. Create a new contact. Name it "SMS0" (note that 0 is zero and not the letter O).
 - b. Enter the mobile phone number for the receiver of the SMS. Save.
 - c. The following records in the send-list is named SMS1, SMS2 etc, and the mobile numbers are entered. All numbers from SMS0 to SMS9 can be used.
5. If you wish to activate the temperature guard (see page 14.)
 - a. Create a new contact. Name it "TEMP". No phone number has to be entered but if the phone requires it, any number can be entered.
6. If you wish to activate ALARMRELAY (see page 12.)

- a. Create a new contact. Name it "ALARMRELAY". No phone number has to be entered but if the phone requires it, any number can be entered.
7. Turn off the mobile phone and remove the SIM-card.
8. Remove the cover door on back of the unit. Use a small screwdriver.
9. Insert the SIM-card in the holder (see below). Replace the cover door.



10. Connect the antenna to the unit
11. Insert the unit in a power jack. The following happens:
 - a. The green lamp starts flashing for about 45 seconds. This indicates that the unit is searching an GSM network.
 - b. Finally the green lamp is lit. The unit is communicating with the GSM network and the unit is ready for use.
 - c. If both the red and the green lamp is flashing, this indicates:
 - i. SIM-kort is missing
 - ii. The PIN-code on the SIM-card is not deactivated. See item 2.

Remote relay

With this function you can call up or send SMS to the unit and operate the 230V/16A relay.

Insert the unit in the wall power socket you wish. Put the power contact of the device you want to operate in the power socket of the unit.

Operate the relay manually

You can make the relay switch by pressing the button on the unit. When the relay is on, the red lamp is lit and when the relay is off, the red lamp is not lit.

Operate the relay by calling it up

1. Call up the unit. Be sure you use tone mode on the telephone.
2. The unit answers with a beep.
3. Press your PIN-code and then #.

Example: **1234#**

If the PIN-code is correct the unit replies with a beep. If it is not correct the call is disconnected. Call again and try.

4. **Turn on the relay** by pressing the following buttons:

1*1#

The unit replies with a beep. Hang up the receiver. If the unit replies with two beeps, try again.

5. **Turn off the relay** by pressing the following buttons:

0*1#

The unit replies with a beep. Hang up the receiver. If the unit replies with two beeps, try again.

6. **Turn on the relay with timer function**

The relay can be turned on and you can set the number of hours you want it to be active before it switches off (between 1 and 99 h). Press the following buttons:

1*1*T# (T= the number of hours you want the relay to be in on mode).

The unit replies with a beep. Hang up the receiver. If the unit replies with two beeps, try again.

After you finished one operation you can directly execute next operation without hanging up the receiver. When you have executed all operation, hang up.

Operate the relay with SMS

1. **Turn on the relay**, send an SMS with the following message:
ABCD#1*1# (where ABCD is your PIN-code)
2. **Turn off the relay**, send an SMS with the following message:
ABCD#0*1# (where ABCD is your PIN-code)
3. **Turn on the relay with timer function**
The relay can be turned on and you can set the number of hours you want it on before it switches to off. (between 1 and 99 h). Send the following message:
ABCD #1*1*T# (where ABCD is your PIN-code, T= the number of hours you want the relay to be in on mode).

Tip!

Instead of writing the symbol * you can use all letters on button 7 (p, q, r or s)

Instead of writing the symbol # you can use all letters on button 9 (w, x, y or z)

Tip!

If you not are sure about the settings of the unit, you can request a status-SMS. See page15.

Alarm

The unit has two alarm inputs. The y can be set to operate in *Normally Open* –mode (NO) or *Normally Closed*-mode (NC).

Connect an alarm detector

An alarm detector is a device that connects or disconnects a circuit when it is activated. Example of such devices are PIR units, magnetic detectors, level guards or similar.

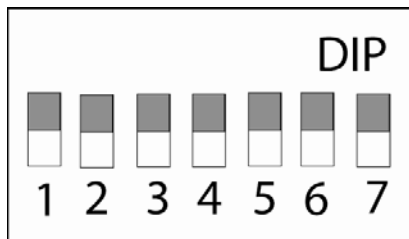
On the bottom you will find a jacket with four connectors. They are marked as follows:

G	Ground
A	Alarm A
B	Alarm B
12V	Voltage 12 V (not for powering external devices)

The connection cable has a connector in one end that fits in the jacket.

Change operation mode between NO and NC

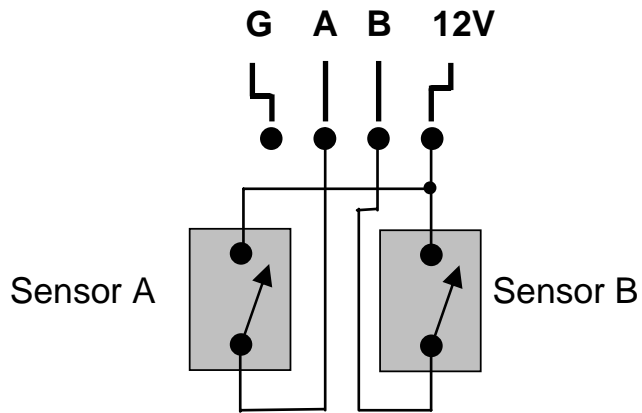
Under the back cover door you will find a DIP-switch with 7 switches. They are numbered from 1-7.



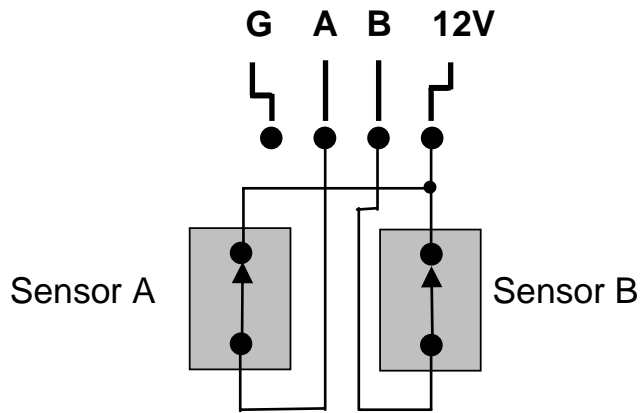
Factory setting for switch no 1 is OFF. This means that the alarm inputs are set to NO mode. The unit sends ALARM A if connector 2 and 4 is connected and sends ALARM B if connector 3 and 4 is connected.

If switch no 1 is set to ON the NC mode is activated. The unit sends ALARM A if the connection between connector 2 and 4 is disconnected and sends ALARM B if the connection between connector 3 and 4 is disconnected.

Suggestion for connection of alarm detector NO mode



Suggestion for connection of alarm detector NC mode



Alarmrelay

This function turns the relay ON if the alarm on the unit or one of the slaves is activated. For example you can connect a siren that starts when an alarm is activated

- The function is activated by adding a record named "ALARMRELAY" in *Contacts* on the SIM-card. See page 6
- The function is deactivated by deleting the record "ALARM RELAY" in *Contacts* on the SIM-card. See page 6.

Turn on/off the alarm function

Every time the unit is started up the alarm function is turned on after 60 seconds. The reason for this is that you will have time to for example close a door that is alarmed. If you want you can turn off the alarm function.

Turn off the alarm function by calling up

1. Call up the unit. Be sure you use tone mode on the telephone.
2. The unit answers with a beep.
3. Press your PIN-code and then #.

Example: **1234#**

If the PIN-code is correct the unit replies with a beep. If it is not correct the call is disconnected. Call again and try.

4. Turn off the alarm function by pressing buttons **7*0#**. The unit replies with a beep. Hang up the receiver. If the unit replies with two beeps, try again.
5. Turn on the alarm function by pressing buttons **7*1#**. The unit replies with a beep. Hang up the receiver. If the unit replies with two beeps, try again.

Turn off the alarm function with SMS

1. Send an SMS with the following message:
ABCD#7*0# (where ABCD is your PIN-code)
2. Turn on the alarm function again by sending an SMS with the following message:
ABCD#7*1# (where ABCD is your PIN-code)

Tip!

If you not are sure about the settings of the unit you can send an SMS and ask for status. See page 15. When the alarm function is turned on, a star (*) before the name Ontech 9009 appears in the SMS. Like this *"*Ontech9009"*.

When an alarm is activated

When an alarm is activated an SMS will be sent to all contacts on the send list. How you create this list, see page 6.

Interpreting the SMS

The SMS that will be sent has the following lines and is interpreted as follows::

Example	Explanation
Ontech9009	A star () means that the alarm function is turned on.
Alarm:	
1ab, 3b	Indicates all alarms that have been activated since the last acknowledge. The number indicates the unit, Ontech 9009 is always no 1, and the others refer to the slave units connected. See page 20. Note that these inputs not can send an alarm again before the alarm has been acknowledged.
Inputs:	
1b	Indicates the alarm input that still is activated. In this example the SMS means that inputs 1a, 1b and 3b has been activated since the last acknowledge and that input 3b still is activated.
Units:	
1*,3,4*	Indicates the units communicating with the master unit. Unit number 1 is always the master unit. The other numbers refers to the slave units connected. A star (*) after the number indicates that the relay is turned on. If the master loses contact with one of the slaves unit its ID number will not be shown in the SMS.
Alarmrelay on	Indicates that the ALARMRELAY function is activated.
Temp watch on	Indicates that the Temperature guard function is activated.
Temp:24	Gives the temperature at the master unit in degrees Celsius.

Acknowledge an alarm

When an alarm input is activated the unit will not be able to send a new alarm before the earlier alarm is acknowledged.

Acknowledge an alarm manually

Press the button on the front of the unit at least once. Note that also all alarm from the slave units will be acknowledged.

Acknowledge an alarm by calling up

1. Call up the unit. Be sure you use tone mode on the telephone.
2. The unit answers with a beep.
3. Press your PIN-code and then #.

Example: **1234#**

If the PIN-code is correct the unit replies with a beep. If it is not correct the call is disconnected. Call again and try.

4. Acknowledge the alarm by pressing the buttons **9#**. The unit replies with a beep. Hang up the receiver. If the unit replies with two beeps, try again.

Acknowledge an alarm with SMS

1. Send an SMS to the unit with the following message:

ABCD#9# (ABCD is your PIN-code).

Temperature guard

The unit can be set to automatic alarm when the temperature drops below 5 degrees Celsius. This is very useful in order to prevent the water to freeze in your summer house.

This alarm does not need to be acknowledged. The unit cannot send a new temperature alarm before the temperature has been raised over 8 degrees Celsius again. The accuracy is +/- 2 degrees.

The temperature guard is not activated when delivered.

- The function is activated by adding a record named TEMP to the SIM-card. See page 6.
- The function is deleted by deleting the record TEMP from the SIM-card.

Temperature

Every time you ask for a status-SMS the unit will report the actual temperature in degrees Celsius.

Status-SMS

You can ask for a status-SMS. In the SMS all settings will be reported as well as the actual temperature.

Note that this cannot be done from an ordinary telephone, only from a mobile phone.

Send an SMS to the unit with the following message:

ABCD#8# (ABCD is your PIN-code).

You will immediately receive an SMS. The message is interpreted as follows:

Example	Explanation
Ontech9009	A star () means that the alarm function is turned on.
Alarm:	
1ab, 3b	Indicates all alarms that have been activated since the last acknowledge. The number indicates the unit, Ontech 9009 is always no 1, and the others refer to the slaves unit connected. See page 20. Note that these inputs not can send an alarm again before the alarm has been acknowledged.
Inputs:	
1b	Indicates the alarm input that still is activated. In this example the SMS means that inputs 1a, 1b and 3b has been activated since the last acknowledge and that input 3b still is activated.
Units:	
1*,3,4*	Indicates the units communicating with the master unit. Unit number 1 is always the master unit. The other numbers refers to the slave units connected. A star (*) after the number indicates that the relay is turned on. If the master loses contact with one of the slaves unit its ID number will not be shown in the SMS.
Alarmrelay on	Indicates that the ALARMRELAY function is activated.
Temp watch on	Indicates that the Temperature guard function is activated.
Temp:24	Gives the temperature at the master unit in degrees Celsius.

Power the unit with battery

Normally the unit is supplied with power from the main power. As an extra precaution you can connect a back up battery. This battery can also be used in places where there is no power jacket.

Use an accumulator with voltage 9-16 V. A motorcycle battery or car battery will work fine.

When the unit is connected to the main power the accumulator will be charged and when the power fails the back up battery will supply the unit with power.

The + pole on the battery shall be connected to connector +12V on the unit .
The – pole shall be connected to connector G on the unit.

WARNING!

Manganese batteries or other not rechargeable batteries may not be used.

Functions

Commands

These commands is for both SMS and called up connections with the unit..

Command	What it means
ABCD#	All programming and operations starts with your PIN-code
#	By pressing this button you send a command to the unit. With other words, it ends a command line. If you have pressed the wrong button, you can start the command line all over by pressing this button.
*	Is used as a separator between parts in a command line.
1*N#	Is used to turn on a relay. N indicates the ID of the relay.
0*N#	Is used to turn off a relay. N indicates the ID of the relay.
1*N*T#	Is used to turn on a relay with timer function. N indicates the ID of the relay and T indicates the number of hours before the relay is turned off.
7*1#	Alarm function is turned on (all connected alarms)
7*0#	Alarm function is turned off (all connected alarms)
8#	Request for a status-SMS. Do not work when calling up from

	ordinary telephone.
9#	All alarm are acknowledged.

- Note that all SMS must start with the PIN-code.
- It is possible to execute multiple commands in the same SMS or telephone call. The sign # separates the command lines.
- When the unit is operated from an ordinary telephone the unit replies with a beep after you have pressed #. If the unit replies with two beeps the unit has not accepted the command. Try again.
- Instead of writing the symbol * you can use all letters on button 7 (p, q, r or s)
- Instead of writing the symbol # you can use all letters on button 9 (w, x, y or z)

Push button

On the front of the unit there is a push button.

One push of the button switches the relay.

If an alarm has been activated one push of the button will acknowledge the alarm..

The lamps of the unit

On the front of the unit there is two lamps, one green and one red.

GREEN LAMP

Flashing	When starting the unit is searching for an GSM network. When the unit loses contact with the GSM network.
Lit	The unit is on/idle

RED LAMP

Lit	The relay is turned on
Not lit	The relay is turned off.
Flashing	An alarm is activated and will flash until the it is acknowledged.

RED AND GREEN LAMP

Flashing when starting up	SIM-card is missing or PIN-code not deactivated. See page 6. Be sure you have programmed the SIM-card and not only the memory of the mobile phone.
---------------------------	----------------------------------------------------------------------------------------------------------------------------------------------------

Ontech GSM Relay 9010

Overview

Ontech GSM Relay 9010 is a slave unit that communicates with Ontech GSM Mini 9009 via a short range radio. The unit has a built-in power relay 230V/16A and two alarm inputs. Up to seven different Ontech GSM Relay 9010 can be connected and individually operated by each Ontech GSM Mini 9009. The operating range is approx. 30 meters, but each slave unit also works as a repeater in order to increase the operating range.

Content of the package

- Ontech GSM Relay 9010
- User manual
- Connection cable

Get started

You must have an installed Ontech GSM Mini 9009 (master unit) in order to communicate with one or more Ontech GSM Relay 9010 (slave unit).

The identity of the unit

In a system with one master unit and one or more slave units it is of utmost importance that all units has different ID numbers

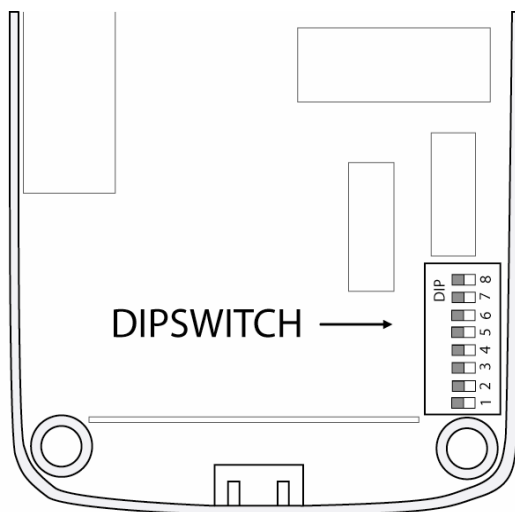
The master unit always has ID1. The slave units ID can be set from ID2 up to ID8.

No unit may have ID0.

When the slave unit is delivered factory setting is ID2.

SETTING ID ON THE SLAVE UNIT

- **WARNING.** During this operation the unit must be disconnected from all forms of power.
- Unscrew the four screws on the back of the unit.
- Remove the back cover gently.
- Locate the DIP-switch (see below)



- Switch 6, 7 and 8 is used to set the identity. See table below.
- Use a small screwdriver to change position on desired switch.
- Replace the back cover.
- Replace the four screws.

- Test by calling up the master unit and switch the relays.

ID	Switch 6	Switch 7	Switch 8
ID2	OFF	OFF	ON
ID3	OFF	ON	OFF
ID4	OFF	ON	ON
ID5	ON	OFF	OFF
ID6	ON	OFF	ON
ID7	ON	ON	OFF
ID8	ON	ON	ON

Setting the radio channel

The system can be set to one of 16 different radio channels.. This is useful when you have two ore more systems parallel.

Radio channel factory setting is the same for both the master unit and the slave units.

Only when necessary to change radio channel this shall be done and it must be done on both master unit and all slave units in the system. Which channel you choose is out of importance as long as the master and all slave units is set to the same channel.

Switches 2, 3, 4 and 5 on the DIP-switch are used to set the radio channel. Factory setting is all three switches to "OFF".

SETTING THE RADIO CHANNEL ON THE MASTER UNIT

- **WARNING.** During this operation the unit must be disconnected from all forms of power.
- Open the back cover door on Ontech GSM Mini 9009. A small screwdriver can be used.
- Locate the DIP-switch. See page 20.
- Switches 2, 3, 4 and 5 are used to set the radio channel.
- Use a small screwdriver to set the switches in desired position.
- Replace the back cover door.

SETTING THE RADIO CHANNEL ON THE SLAVE UNITS

- **WARNING.** During this operation the unit must be disconnected from all forms of power.
- Unscrew the four screws on the back of the unit.
- Remove the back cover gently.
- Locate the DIP-switch (see below)
- Switches 2, 3, 4 and 5 are used to set the radio channel.
- Use a small screwdriver to change position on desired switch.
- Replace the back cover.
- Replace the four screws.
- Test by calling up the master unit and switch the relays.

Remote relay

With this function you can call up or send SMS to the unit and operate the on or more slave units 230V/16A relay individually.

Insert the unit in the wall power socket you wish. Put the power contact of the device you want to operate in the unit power socket.

Operate the relay manually

You can make the relay switch by pressing the button on the unit. When the relay is on, the red lamp is lit and when the relay is off, the red lamp is not lit.

Operate the relay by calling it up

7. Call up the unit. Be sure you use tone mode on the telephone.
8. The unit answers with a beep.
9. Press your PIN-code and then #.

Example: **1234#**

If the PIN-code is correct the unit replies with a beep. If it is not correct the call is disconnected. Call again and try.

10. **Turn on the relay** by pressing the following buttons:

1*N# N is the ID of the unit.

The unit replies with a beep. Hang up the receiver. If the unit replies with two beeps, try again.

11. **Turn off the relay** by pressing the following buttons:

0*N# N is the ID of the unit.

The unit replies with a beep. Hang up the receiver. If the unit replies with two beeps, try again.

12. **Turn on the relay with timer function**

The relay can be turned on and you can set the number of hours you want it on before it switches to off (between 1 and 99 h). Press the following buttons:

1*N*T# (T= the number of hours you want the relay to be in on mode, N is the ID of the unit.).

The unit replies with a beep. Hang up the receiver. If the unit replies with two beeps, try again.

After you done one operation you can directly execute next operation without hanging up the receiver. When you have executed all operation, hang up.

Operate the relay with SMS

4. **Turn on the relay**, send an SMS with the following message:
ABCD#1*N# (ABCD is your PIN-code and N is the ID of the unit.)
5. **Turn off the relay**, send an SMS with the following message:
ABCD#0*N# (ABCD is your PIN-code and N is the ID of the unit.)
6. **Turn on the relay with timer function**
The relay can be turned on and you can set the number of hours you want it on before it switches to off (between 1 and 99 h). Send the following message:
ABCD #1*N*T# (where ABCD is your PIN-code, T= the number of hours you want the relay to be in on mode and N is the ID of the unit.).

Tip!

Instead of writing the symbol * you can use all letters on button 7 (p, q, r or s)

Instead of writing the symbol # you can use all letters on button 9 (w, x, y or z)

Tip!

If you not are sure about the settings of the unit, you can ask it for a status-SMS. See page15.

Alarm function

The unit has two alarm inputs. They can be set to operate in *Normally Open* –mode (NO) or *Normally Closed*-mode (NC).

Connect an alarm detector

An alarm detector is a device that connects or disconnects a circuit when it is activated. Example of such devices is alarm units, magnetic detectors, level guards or similar.

On the bottom you will find a jacket with four connectors. They are marked as follows:

A+	9 V
A-	Alarm A
B+	9 V
B-	Alarm B

The connection cable has a connector in one end that fits in the jacket.

Change operation mode between NO and NC

Under the back cover door you will find a DIP-switch with 8 switches. They are numbered from 1-8.

Factory setting for switch no 1 is OFF. This means that the alarm inputs are set to NO mode. The unit sends ALARM A if connector 1 and 2 is connected and sends ALARM B if connector 3 and 4 is connected.

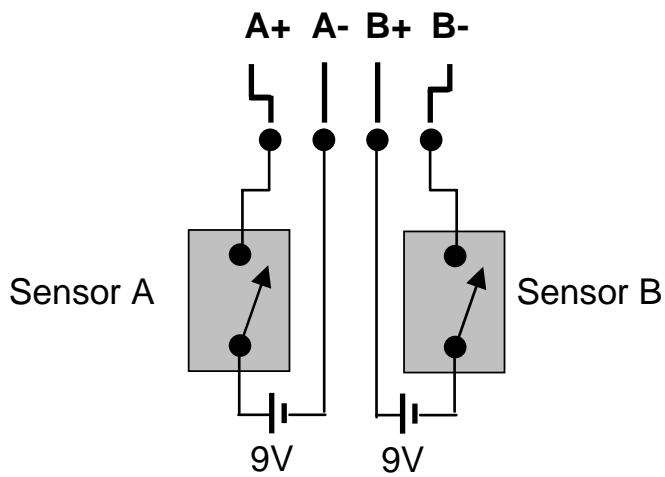
If switch no 1 is set to ON the NC mode is activated. The unit sends ALARM A if the connection between connector 1 and 2 is disconnected and sends ALARM B if the connection between connector 3 and 4 is disconnected.

TO CHANGE THE MODE

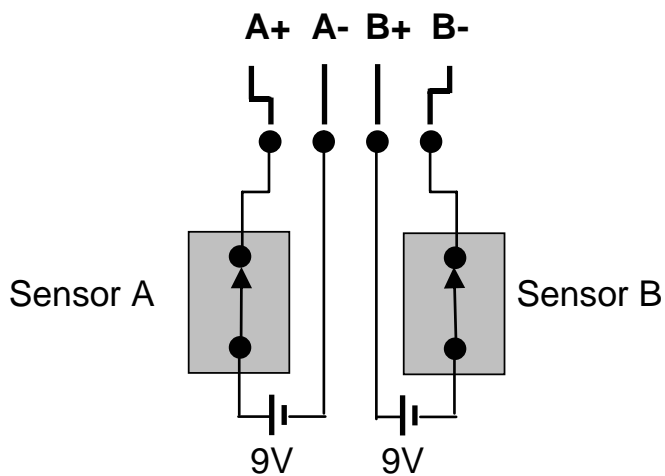
- **WARNING.** During this operation the unit must be disconnected from all forms of power.
- Unscrew the four screws on the back of the unit.

- Remove the back cover gently.
- Locate the DIP-switch (see below)
- Switch no 1 is used to set the mode (OFF=NO and ON=NC)
- Use a small screwdriver to change position on desired switch.
- Replace the back cover.
- Replace the four screws.

Suggestion for connection of alarm detector NO mode



Suggestion for connection of alarm detector NC mode



Turn on/off the alarm function

The alarm must be turned on the master unit in order to work. See page 12.

When an alarm is activated

When an alarm is activated an SMS will be sent to all contacts on the send list. How you create this list, see page 6.

The SMS that will be sent has the following lines and is interpreted as follows::

Example	Explanation
Ontech9009	A star () means that the alarm function is turned on.
Alarm:	
1ab, 3b	Indicates all alarms that has been activated since the last acknowledge. The number indicates the unit, Ontech 9009 is always no 1, and the others refer to the slaves unit connected. See page 20 Note that these inputs not can send an alarm again before the alarm has been acknowledge.
Inputs:	
1b	Indicates the alarm input that still is activated. In this example the SMS means that inputs 1a, 1b and 3b has been activated since the last acknowledge and that input 1b still is activated.
Units:	
1*,3,4*	Indicates the units communicating with the master unit. Unit number 1 is always the master unit. The other numbers refers to the slave units connected. A star (*) after the number indicates that the relay is turned on. If the master loses contact with one of the slaves unit its ID number will not be shown in the SMS.
Alarmrelay on	Indicates that the ALARMRELAY function is activated.
Temp watch on	Indicates that the Temperature guard function is activated.
Temp:24	Gives the temperature at the master unit in degrees Celsius.

Acknowledge an alarm

When an alarm input is activated the unit will not be able to send a new alarm before the earlier alarm is acknowledged.

Acknowledge an alarm manually

Press the button on the front of the unit at least once. Note that also all alarm from the slave units will be acknowledged.

Acknowledge an alarm by calling up

1. Call up the unit. Be sure you use tone mode on the telephone.
2. The unit answers with a beep.
3. Press your PIN-code and then #.

Example: **1234#**

If the PIN-code is correct the unit replies with a beep. If it is not correct the call is disconnected. Call again and try.

4. Acknowledge the alarm by pressing the buttons **9#**. The unit replies with a beep. Hang up the receiver. If the unit replies with two beeps, try again.

Acknowledge an alarm with SMS

1. Send an SMS to the unit with the following message:

ABCD#9# (ABCD is your PIN-code).

Functions

Push button

On the units front cover there is a push button.

One push on the button will switch the relay.

The lamp of the unit

On the front of the unit there is a red lamp.

Lit	The relay is turned on
Not lit	The relay is turned off
Flashing	The unit cannot communicate with the master unit.
Double flashing	The ID is set to ID0. The ID must be changed.
Flashing every second	One ore both alarm inputs are activated.

Trubble shooting

Symptom	Reason
Both the red and green lamp is flashing on Ontech GSM Mini 9009.	<p>The unit cannot read the SIM-card</p> <ul style="list-style-type: none"> • Check that the PIN-code is deactivated. See page 6. • Check that the position of the SIM-card in the unit is correct. • Check the SIM-card in a mobile phone in order to check the SIM-card.
The green lamp is flashing on Ontech GSM Mini 9009.	<p>No connection with the GSM network</p> <ul style="list-style-type: none"> • Check if the area is covered by using the SIM-card in a mobile phone.. • Check that the antenna is correctly mounted..
The master unit has no contact with the slave units	<p>Different radio channels</p> <ul style="list-style-type: none"> • Check that the master unit and all slave units are set to the same radio channel. See page 21.
The master unit has no contact with an individual slave unit.	<p>Out of radio range</p> <ul style="list-style-type: none"> • Check by moving the slave unit closer to the master unit. • Check that the slave unit has an unique ID. See page 20 • Place one more slave unit in the middle of the distance between the slave unit that lost contact and the master unit.
The unit do not react on SMS	<p>Wrong mobile number</p> <ul style="list-style-type: none"> • Check that the mobile number is correct <p>Wrong PIN-code</p> <ul style="list-style-type: none"> • Check that your PIN-code is correct. The easiest way to do this is to call up the unit from an ordinary telephone and enter the PIN-code and then #. If the PIN-code is correct the unit will reply with a beep. If not, the unit will hang up.

Tip!

Multiple commands i the same SMS or call

It is possible to execute multiple commands in the same SMS or call. The sign # separates all the command lines.

If you, for example want to acknowledge an alarm but also want to turn on the relay on the master unit, you press:

ABCD#9#1*1#

All individual commands will be replied with a beep. If there is a fault, the unit replies with two beeps.

Using other letters for # and *

Instead of writing the symbol * you can use all letters on button 7 (p, q, r or s)

Instead of writing the symbol # you can use all letters on button 9 (w, x, y or z)

Status-SMS

If you not are sure about the settings of the unit, you can ask it for a status-SMS. See page15.

To long distance between master unit and slave unit

A built-in function in all slave units is a radio repeater. This means that each slave unit increases the working range with about 30 meters. If one slave unit is out of range, another slave unit can be connected somewhere between the slave unit that is far away and the master unit .The extra slave unit will link the other two units together.

Check if the slave unit has contact with the master unit

One push of the button on the slave unit switches the relay but also sending information about this to the master unit. The master unit acknowledges back that it has received the information. During this process the red lamp on the slave unit will flash. The process shall not take more than 3 seconds, if more, the slave unit probably lost contact with the master unit.

Technical specifications

Ontech GSM Mini 9009

GSM	Trippelband GSM 900/1800/1900
Relay	230V/16A
Short range radio	Frequency 2,4 GHz Power output 1 mW
Alarm inputs	Activated either by NO or NC mode Max +/-50 V, 5 mA
Back up power	9-14 VDC
Power consumption	Nominal <0,5 W Max 4 W
Temperature range	-20°C to +40°C
Certified	Compliance EMC, LVD och RTTE directive

Ontech GSM Relay 9010

Relay	230V/16A
Short range radio	Frequency 2,4 GHz Power output 1 mW
Alarm inputs	Activated either by NO or NC-mode Maximalt +/-50 V, 5 mA
Power consumption	Nominal <0,5 W Max 1 W
Temperature range	-20°C to +40°C
Certified	Compliance EMC, LVD och RTTE directive

Declaration of conformity

Ondico AB, Datavägen 14A, 436 32 Askim, Sweden, hereby declares that the products Ontech GSM Mini 9009 and Ontech GSM Relay 9010 is in conformity with the provisions of the Radio & Teleterminal directive R&TTE 1999/5/EG.



www.ondico.se

